

Remeha Avanta Product Range

Combination 24c | 28c | 35c | 39c
System 18s | 24s | 30s
Heating 12v | 15v | 18v | 24v | 30v



www.avantarange.com

Remeha Avanta Range the best choice you can make

Remeha is part of the De Dietrich Remeha Group - one of the top five boiler manufacturers in the European commercial and domestic heating market. The Remeha brand is renowned for quality, reliability and efficiency. We are committed to increasing the already high

performance standards of our boilers through an ongoing programme of technological innovation. With more than 35 years experience in the development and production of condensing boilers, Remeha is at the forefront of this field.



Remeha iSense Control



Exceptional energy efficiency, reliability and performance

Welcome to the Remeha Avanta Range of SEDBUK 'A' high efficiency gas condensing combination, system and heating boilers – representing Remeha's new seventh generation in domestic condensing boiler development. The Avanta Range makes use of the latest domestic boiler technology to create one of the most compact boilers available on the market.

Quality, reliability and value

As leaders in the world of condensing boiler technology, Remeha continues to raise performance standards to an ever-higher level within the condensing boiler market. The Avanta Range has been developed to deliver value for money over its whole life and each boiler is supplied fully live tested and pre-set.

Special features

- All L.P.G convertible
- Wall mounting plate complete with isolating valves for easy and time saving installation
- Fully modulating gas/air ratio control, anti-cycling high efficiency, low NOx, environmentally friendly
- Comfort mode (keep hot facility) for instantaneous hot water of constant temperature
- Eco-mode for energy saving and environmentally friendly operation
- Automatic bypass
- Boiler frost protection
- Low water protection
- External interlock function
- "abc" advanced boiler control for reliable operation
- Room sealed operation, no compartment ventilation required
- Solar compatibility
- Underfloor heating compatibility

- User friendly digital display for easy commissioning and servicing with self diagnostic codes at user, service engineer and factory access levels
- Data file storage for easy servicing
- Filling loop
- Filter in DHW cold feed
- Boiler supplied with 1.2 metres flying lead for easy installation
- Boiler supplied with two easily accessible auto air-vents and an air separator
- Boiler supplied with all tails and valves
- Maximum three eco-home credits for all projects. Re: NOx emissions
- Single design concept for the whole range.

Environmentally sound

The Avanta Range is specifically designed to be as highly efficient and environmentally friendly as possible. The range provides optimum hot water and heating for the home and has reduced carbon dioxide emissions, which are one of the key contributors to climate change.



Remeha is a licensed member of the Benchmark Scheme which aims to improve the standards of installation and commissioning of domestic heating and hot water systems in the UK and to encourage regular servicing to optimise safety, efficiency and performance. Benchmark is managed and promoted by the Heating and Hotwater Industry Council. For more information visit www.centralheating.co.uk

Vital statistics

Height 670mm
 Depth 300mm
 Width 400mm
 Weight 30.5kg*



Combi boiler

Space saving dimensions

The Avanta Plus Combi Range boiler will fit into almost any available space, proving that small is flexible.

Comfort mode

The Avanta Plus Combi Range has a comfort mode (keep hot facility) for instantaneous hot water of constant temperature and an Eco mode for energy saving, top efficiency and environmentally friendly operation.

Low water pressure

The Avanta Range operates at low water pressure - a minimum of 0.5 bar to achieve maximum flow rate, and therefore is the perfect solution for low pressure areas and multi-storey properties.

24c Combi Boiler

28c Combi Boiler

35c Combi Boiler

39c Combi Boiler



24kW Combi Boiler	
Nominal Output P _n (80/60°C)	6-20.0 kW
Nominal Output P _n (50/30°C)	6-21.6 kW
DHW Flow Rate @ 35°C Rise	10.0 l/min

28kW Combi Boiler	
Nominal Output P _n (80/60°C)	6-21.6 kW
Nominal Output P _n (50/30°C)	6-23.0 kW
DHW Flow Rate @ 35°C Rise	11.4 l/min

35kW Combi Boiler	
Nominal Output P _n (80/60°C)	6-29.4 kW
Nominal Output P _n (50/30°C)	6-31.3 kW
DHW Flow Rate @ 35°C Rise	14.2 l/min

39kW Combi Boiler	
Nominal Output P _n (80/60°C)	6-33.3 kW
Nominal Output P _n (50/30°C)	6-35.5 kW
DHW Flow Rate @ 35°C Rise	15.9 l/min

*The 24c and 28c are 30.5kg the 35c are 32kg the 39c are 34.5kg.

Vital statistics

Height 670mm
 Depth 300mm
 Width 400mm
 Weight 29.5kg*

SEDBUK BAND
 CONDENSING BOILER

A

90.3% efficiency



System boiler

Space saving dimensions

The Avanta Plus is the only system boiler that will fit inside a standard kitchen unit.

It is possible with a simple boiler set up to use the 35 and 39 Combi boiler as a larger System boiler when required.

The new Avanta Plus System Range of boilers makes use of the latest domestic boiler technology to create one of the most compact boilers available on the market, with an impressive output ranging from 6kW to 30kW. The whole installation can be pressurised and tested fully before boiler installation.

18s System Boiler

24s System Boiler

30s System Boiler



18kW System Boiler

Nominal Output Pn (80/60°C)	6-18.0 kW
-----------------------------	-----------

Nominal Output Pn (50/30°C)	6-19.1 kW
-----------------------------	-----------

24kW System Boiler

Nominal Output Pn (80/60°C)	6-21.6 kW
-----------------------------	-----------

Nominal Output Pn (50/30°C)	6-23.0 kW
-----------------------------	-----------

30kW System Boiler

Nominal Output Pn (80/60°C)	6-29.4 kW
-----------------------------	-----------

Nominal Output Pn (50/30°C)	6-31.3 kW
-----------------------------	-----------

Compact and easily fits into a standard kitchen unit

*The 18s and 24s are 29kg the 30s is 32kg

Vital statistics

Height 600mm
 Depth 290mm
 Width 400mm
 Weight 20.0kg*



Heating boiler

Space saving dimensions

The Avanta Heating boiler will fit into almost any available space, proving that small is flexible.

The 12v, 15v, 18v, 24v and 30v Heating boilers complete the Avanta Range, enabling the installer to always use a Remeha boiler in every situation he finds when specifying a replacement boiler.

Adopting the very latest in domestic boiler technology, the new Remeha Avanta Heating boiler was developed to be one of the most compact boilers available on the market. The output ranges between 6kW to 30kW. The compact dimensions of this boiler and the overall efficiency make it a popular choice.

12v Heating Boiler

15v Heating Boiler

18v Heating Boiler

24v Heating Boiler

30v Heating Boiler



12kW Heating Boiler

Nominal Output Pn (80/60°C)	6-12.1 kW
Nominal Output Pn (50/30°C)	6-12.8 kW

15kW Heating Boiler

Nominal Output Pn (80/60°C)	6-15.0 kW
Nominal Output Pn (50/30°C)	6-15.8 kW

18kW Heating Boiler

Nominal Output Pn (80/60°C)	6-17.6 kW
Nominal Output Pn (50/30°C)	6-19.0 kW

24kW Heating Boiler

Nominal Output Pn (80/60°C)	6-23.5 kW
Nominal Output Pn (50/30°C)	6-25.0 kW

30kW Heating Boiler

Nominal Output Pn (80/60°C)	6-29.4 kW
Nominal Output Pn (50/30°C)	6-31.3 kW

*The 24v and 30v are 21.5kg.

One of the smallest heating boilers on the market

Single design concept

The Avanta Range is probably one of the most installer friendly boilers on the market. A single design concept throughout the range makes it simple to understand and install and extremely easy to service.



Combination and System boilers

		
Automatic air vent	Fully modulating premix burner	Ignition electrode
		
Modulating fan	Slim line syphon	Plate heat exchanger
		
Safety valve	Single channel mechanical time clock *	Wall mounting plate
		
Expansion vessel, 8 ltr.	Stainless steel heat exchanger	Gas valve (dungs)
		
Motorised three way valve *	Brass hydro block	Automatic 2-speed pump with auto-air vent
		
Single PC-board	Easy read pressure gauge	

* Not available for System boilers and not supplied as standard with the boiler.

Heating boilers

		
Stainless steel heat exchanger	Burner assembly	Ignition electrode
		
Display unit	Slim line syphon	Gas valve (dungs)
		
FR sensor	Main board unit	Modulating fan

Quick and easy installation

Remeha
AVANTA RANGE

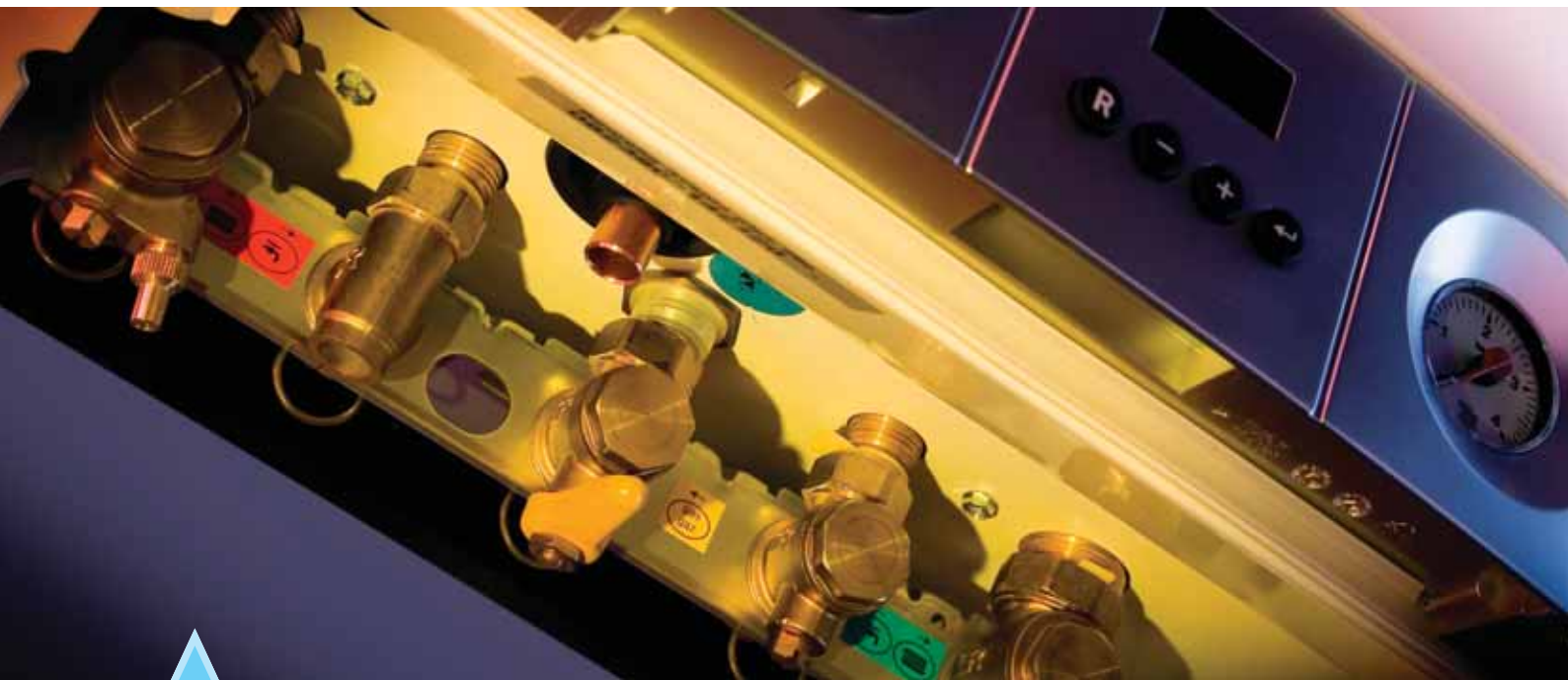
The Avanta Range is designed for easy and time saving installation.

The installation can be pressurised and

tested before boiler installation.

For ease of installation the Avanta Range comes supplied with a wall mounting plate

complete with valves and pre-formed tails.



The Avanta Range is supplied with all water and gas isolation valves complete with copper tails



Wall mounting plate

The wall mounting plate is supplied as standard complete with gas/water isolating valves and pre-formed copper tails.

Stand off frame

(optional – 30mm deep)

A stand off frame is available as an option; this combines with the wall plate to allow the supplied copper tails to be reversed to run up behind the boiler if required.

Pipework kit

(optional – pre-formed)

To make life even easier for the installer a complete pre-formed pipework kit is available as an option, this combined with the stand off frame brings all the connections to the top of the boiler.



Wall mounting plate



Stand off frame



Pipework kit

Modulating controls

The Avanta Range, when controlled using outside or room sensors, will fully modulate for maximum efficiency.

Modulating controls

(with outside weather or room temperature adjustment)

Flow temperature is directly controlled by an outside weather or inside room compensator to provide ultimate comfort conditions at all times using the Open Therm® communication standard.

Remeha iSense

High quality state-of-the-art room thermostat with modulating weather control. Its simple user-friendly interface, clear menu structure, and large screen with blue backlight makes the iSense intuitive to use and easy to manage.



Theben



Celcia 15



Celcia 20



iSense

Theben

Analog time / modulating weather compensator.

Celcia 20

Digital time / modulating weather / room compensator.

Celcia 15

Digital modulating room compensator.

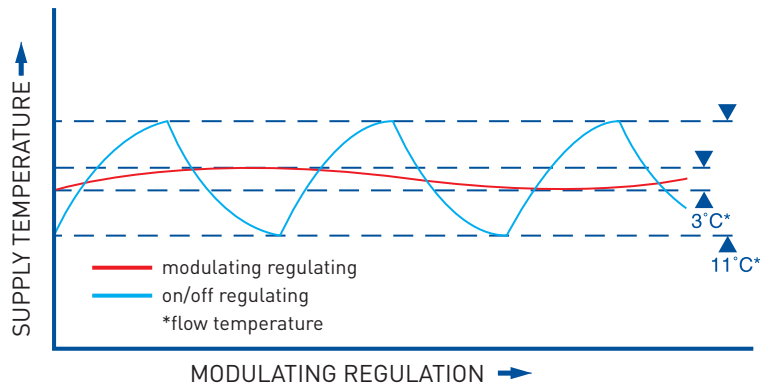
Remeha iSense

State-of-the-art room thermostat

The main advantages of modulation

Financial, comfort and environmental benefits:

- Gas saving, less energy consumption due to higher efficiency.
- Additional energy savings because in general the set point of the room thermostat can be set a degree lower without sacrificing comfort.
- Modulation prevents cycling, reducing wear and maintenance costs.
- Fewer emissions of unburned gas due to reduced number of burner starts, environmentally friendly.
- Increased comfort due to lower fluctuations in water and air temperatures.
- Reduced emissions of gases such as NOx and CO2.



Operation 'abc' advanced boiler control

The Remeha Avanta Range is equipped with an electronic control and safety unit, incorporating ionisation flame protection. At the heart of the boiler control is a

microprocessor. This intelligent advanced boiler control ('abc') continuously monitors the boiler output and ensures a very reliable supply of heat. The control system

is adept at dealing with negative influences from the system such as flow reduction, or airflow problems.

RF Control

The Rematic RF is a wireless – single channel, 24 hour mechanical time clock and room thermostat. It consists of a transmitter which is mounted in a reference room and a receiver mounted in the boiler with the supplied kit. The transmitter unit is battery operated and has a range of 20-30 metres dependent on the building fabric.



RF Receiver



RF Control



Internal digital time clock



One channel mechanical



Celcia 10

Optional time clock

Internal digital time clock 24hour / 7 day programmer twin channel for independent heating and dhw time control. Simple push fit in control panel. One channel mechanical time clock for combi boiler.

Optional ON/Off room temperature controls

Fixed flow temperature where the boiler modulates output to match a fixed flow set point using simple 230V controls. Celcia 10 Analog on/off room thermostat which is easy to use.

Advanced boiler technology

The Remeha "abc" control prevents lock out conditions due to external negative influences. In the event of such influences, the boiler will not

go into "lock-out" failure mode, but will in the first instance modulate down. If necessary, depending on the nature of the circumstances, it will temporarily switch off (shutdown or control stop) and then after a short while simply try again without manual intervention and keep the boiler running as long as possible. Provided that the situation is not actually hazardous, the Remeha Avanta will always try to supply heat. In this way the "abc" control minimises unnecessary engineer call outs.

Selecting the best control solution

Literature on "selecting the best control solution for your specific heating installation" complete with suggested schematics and wiring details is available on request or you can download the literature from our website: www.avantarange.com

OpenTherm® Standard

The Avanta Range comes with the OpenTherm® communication as standard for modulating heating installations. The OpenTherm® communication protocol means freedom of choice for interchangeable modulating controls of different kinds and brands.

Ready for the future

With the Avanta Range you can easily change your simple on/off controlled heating installation into a more advanced fuel-efficient, fully modulating room or weather compensated installation at a later stage.





Controls

For freedom of choice the Avanta Range can be controlled by use of 230 Volt Internal/External time clocks, room thermostats or volt-free systems including wireless control solutions. Moreover the Avanta Range supports modulating controls using the OpenTherm® communication standard.

Looking after the Avanta Range is simplicity itself

The whole Avanta Range uses a single design concept: the range is fitted with a minimum number of standard components, is simple to understand and requires minimal maintenance and servicing.

Although the Avanta Range is compact, it has been designed so that all parts are easily accessible and exchangeable ensuring ease of service even if mounted in a wall cupboard.

RECOM® Service software features

- Direct communication with boiler
- Self-diagnostic read out
- Change of boiler settings
- Boiler monitoring functionality (e.g. fan speed, flow and return temperature)
- Log of lock out and shut down history
- Boiler fault indication – last 16 faults logged
- Recom® software downloadable from: www.remeha.co.uk

Commissioning and servicing made easy

For easy commissioning, servicing and maintenance, Remeha has developed simple-to-use plug and play boiler self-diagnostic software. With the optional Recom® service kit c/w monitoring software it is possible to log, read out or change the boiler operating parameters dynamically by using a notebook computer. (Optional hardware connection cable available).

Customer support services



Spare Parts Kit

In close co-operation with contractors, Remeha has developed an extensive spare parts/emergency kit which enables authorised service engineers to provide prompt attention in an emergency situation and fix the boiler on first visit.

The spare parts kit includes all major parts that may be required for a breakdown. Remeha has a comprehensive training centre which is used to supply one-day technical training.

Technical Service Training

Remeha offers training across the entire product range. For installation and service/maintenance contractors we hold Technical Training Courses at our fully equipped and modern training centre in Wokingham. Courses are also available at our regional training premises. The Avanta Range is designed on a single design concept, so training on just one product covers the whole range.

The technical training consists of theoretical and practical training, Installation, commissioning and fault finding.

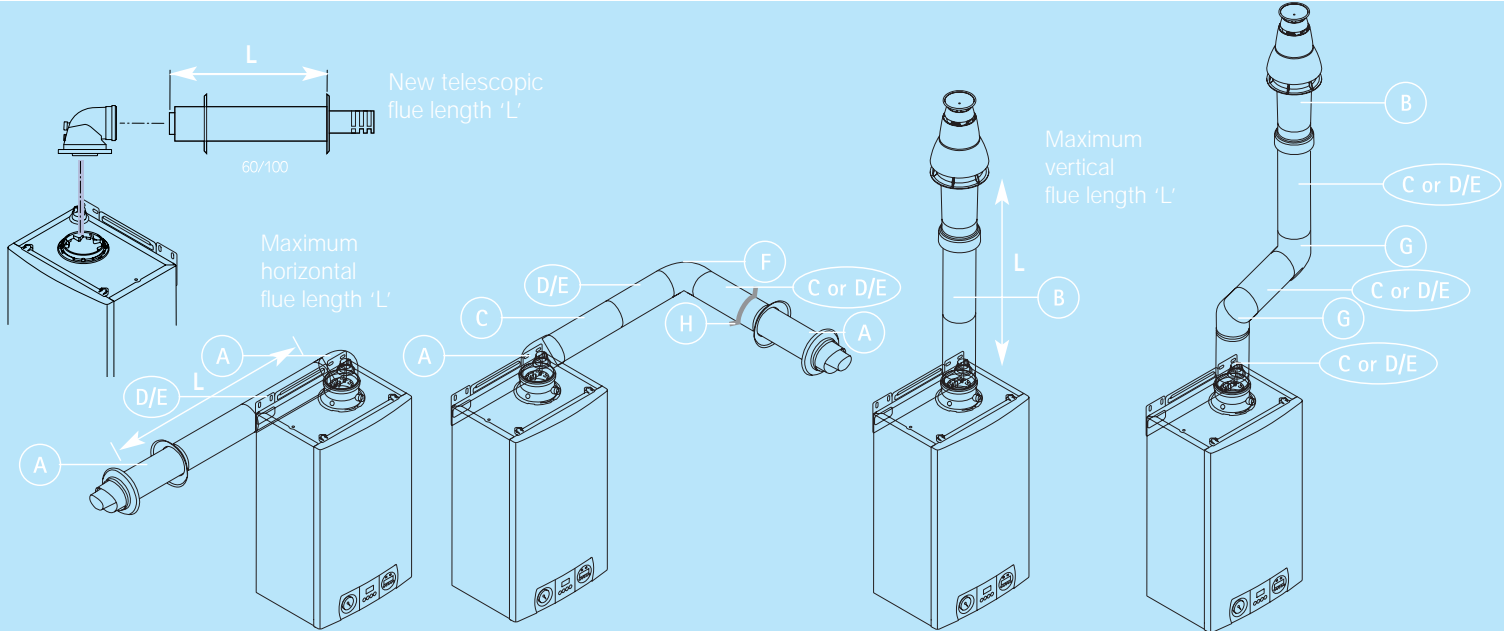


Horizontal and vertical flue systems

Avanta Range flue options and accessories

The Avanta Range is designed for room sealed operation and no compartment ventilation is required.

The Avanta Range must be installed with the correct Broag Remeha approved flue accessories.

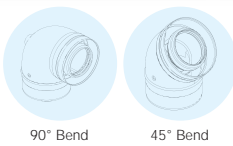


NOTE: The 90° Bend supplied with the horizontal flue kit is not included in any equivalent length calculations.

Boiler Type	12v / 15v / 18v / 24v / 30v	18s / 24s / 30s	24c / 28c / 35c / 39c
Telescopic flue length 'L'	* See to the right	250 - 450mm	250 - 450mm

* This can be used with the original bend – please contact Remeha technical department for further information
NOTE: Telescopic Flue System - 450mm for Standard Flue. 1000mm Flue Option also available. 60/100 Extended Telescopic Flue.

Boiler Type	12v		15v		18v		24v		30v		18s		24s		30s		24c		28c		35c		39c	
Flue diameter (mm)	80/125	60/100	80/125	60/100	80/125	60/100	80/125	60/100	80/125	60/100	80/125	60/100	80/125	60/100	80/125	60/100	80/125	60/100	80/125	60/100	80/125	60/100	80/125	60/100
Max vertical/horizontal flue length 'L' (m)	34	8	34	8	34	8	34	8	34	8	29	6	29	6	29	6	29	6	29	6	30	7	25	5



90° Bend

45° Bend

For each 90° bend deduct 1.4m from the maximum flue length.
For each 45° bend deduct 0.65m from the maximum flue length.

NOTE: For flue lengths in excess of details in above table larger flue systems are available – please contact Remeha for further details.



NOTE: For flue calculations and advice for multi-storey flats with a single rise please contact the Remeha support department.

Position No	Description	Diameter	Length / Angle
A	Horizontal Concentric Flue Kit	60/100 mm	600 mm
B	Vertical Concentric Flue Kit	60/100 mm	600 mm
C	Cuttable Concentric Flue Extension	60/100 mm	500 mm
D	Non Cuttable Concentric Flue Extension	60/100 mm	500 mm
E	Non Cuttable Concentric Flue Extension	60/100 mm	1000 mm
F	Concentric Flue Bend	60/100 mm	90°
G	Concentric Flue Bend	60/100 mm	45°
H	Wall Bracket	60/100 mm	N/A
I	Pitched roof weather slate for 60/100 mm Flue	100 mm	Flexible
J	Flat roof weather slate for 60/100 mm Flue	100 mm	400x600 Sq

See our flue booklet for the full range of flue accessories and components.

Minimum distances to terminal (clearance)

1 Plume Management

PM Horizontal terminal kit installed with 1m extension

2 Plume Management

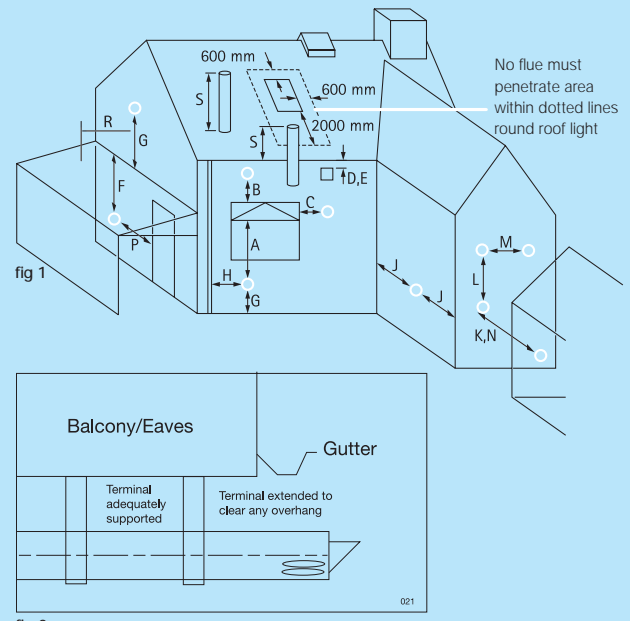
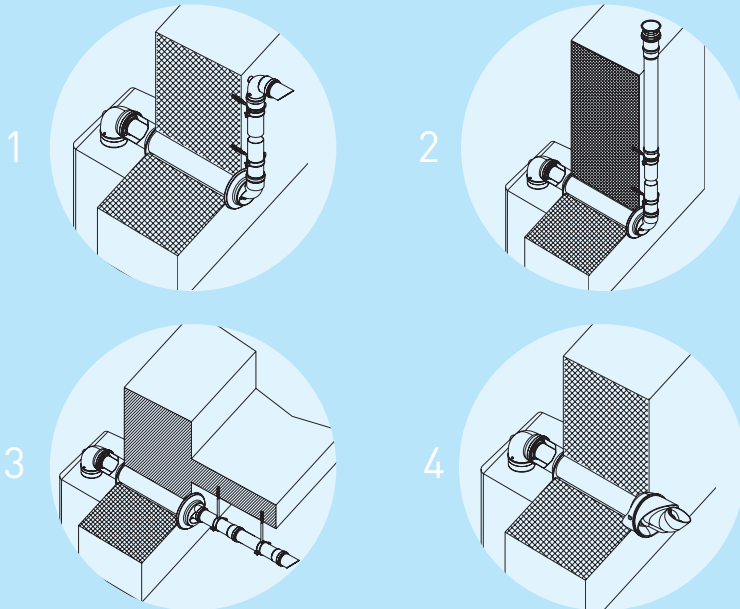
PM Horizontal terminal kit with a vertical outlet

3 Balcony Terminal

PM Horizontal balcony kit suitable for a 2m balcony or overhang

4 Plume Management

PM Horizontal terminal kit installed with an adjustable deflector outlet



Dimensions	Terminal Location	Min Distance (in mm) to Terminal (room sealed)
A	Directly below an opening, air brick, opening window, etc.	300
B	Above an opening, air brick, opening window, etc	300
C	Horizontally to an opening, air brick, opening window, etc.	300
D	Below a gutter or sanitary pipe work	75
E	Below the eaves	200
F	Below a balcony or carport roof	200
G	Above ground, roof or balcony level	300
H	From vertical drain / soil pipe work	40
J	From an internal or external corner	300
K	From a surface or boundary facing the terminal	1500
L	Vertically from a terminal on same wall	1500
M	Horizontally from a terminal on same wall	300
N	From a terminal facing the terminal	1200
P	From an opening in a carport (e.g. door, window) into the building	1200
R	From a vertical structure	500#
S	Above an intersection with the roof	300

Note (fig 1): Dimensions D, E and F can be reduced to 40mm without affecting boiler performance but we would advise deflectors for these small distances and also to ensure that the condense plume does not affect adjacent surfaces. Also in addition to dimension E the terminal can be extended as shown in the diagram (fig 2) to the maximum lengths on page 12.

Note (fig 2): It is important when fitting a plume management and balcony kit that the dimensions in table must be maintained in relation to both the air inlet as well as the flue outlet.



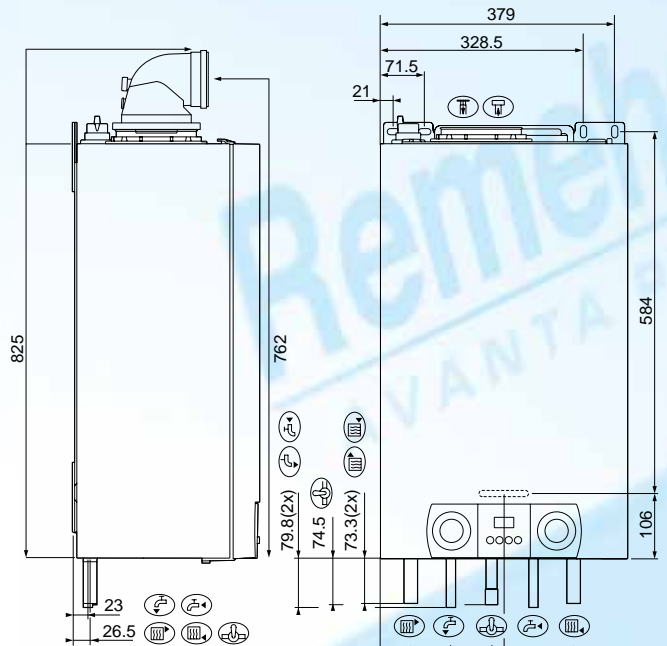
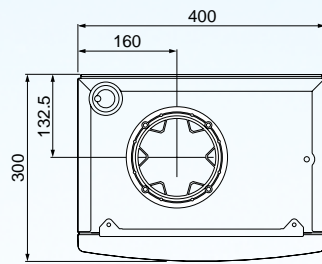
The Telescopic Flue System for even more flexibility

The most compact boiler on the market now comes with the most versatile flue system, which gives an extra 100mm clearance above the boiler.

This dimension to be increased to 1500mm if combustible material

Remeha
AVANTA PLUS
COMBINATION BOILER

Remeha
AVANTA PLUS
SYSTEM BOILER

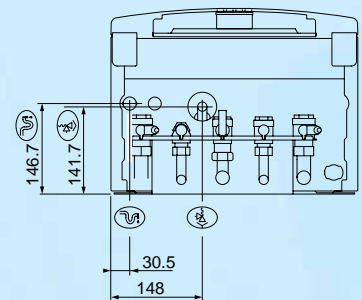


Dimensions & connection points

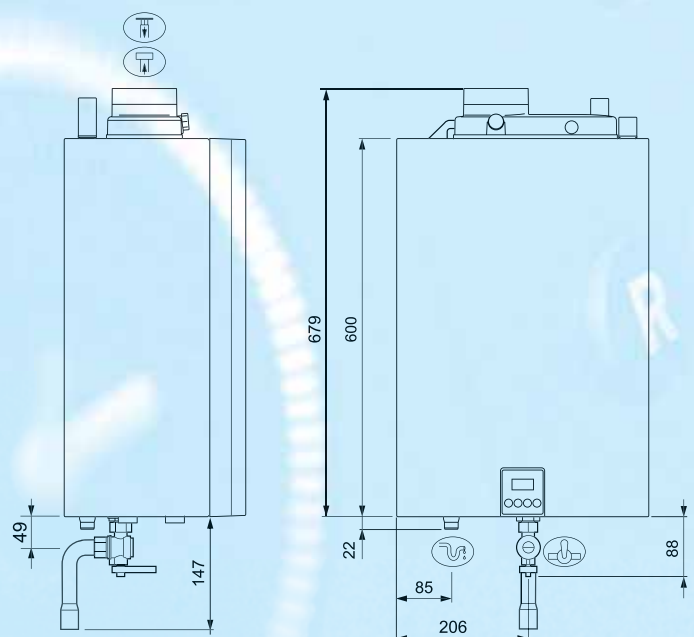
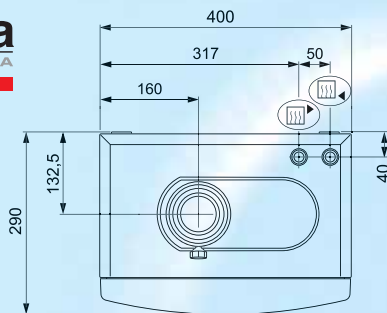
- Central heating return, dia. 22 mm
- Central heating flow, dia. 22 mm
- Gas connection dia. 22 mm
- Concentric flue/air inlet dia. 60/100 mm
- DHW cold, dia. 15 mm (combi only)
- DHW hot, dia. 15 mm (combi only)
- Condensate drain dia. 3/4" (overflow)

Note: Isolation valves/connections are within the casing height.

Recommended installation clearance only 250mm top and bottom.



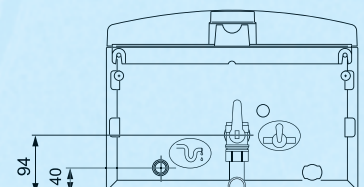
Remeha
AVANTA
HEATING BOILER



Dimensions & connection points

- Return connection dia. 22 mm
- Flow connection dia. 22 mm
- Gas connection dia. 22 mm
- Concentric flue/air inlet dia. 60/100mm
- Condensate drain connection 3/4" (standard overflow pipe size)

Note: Recommended installation clearance only 250mm top and bottom.



How you can contact us

Remeha
AVANTA RANGE

For all your queries just call the Avanta Team on: **0118 978 3434**



Pre and After Sales Service

Our dedicated pre-and-after-sales teams are ready to give you the support you need. It's an integral part of the quality package that Remeha offers as standard with all products.

Literature available online

Browse and explore the www.avantarange.com website and you will find all up to date technical literature and relevant information. For easy access you can download all literature and drawings in Adobe

Acrobat Reader (.pdf) format. Adobe Acrobat Reader is downloadable free of charge from www.adobe.co.uk

[Email
boilers@broag-remeha.com](mailto:boilers@broag-remeha.com)
[Website
www.avantarange.com](http://www.avantarange.com)



A wide range of literature can be downloaded online.



Technical specification

Avanta Series Boiler	Units	24c Combi	28c Combi	35c Combi	39c Combi	18s System	24s System	30s System	12v Heating	15v Heating	18v Heating	24v Heating	30v Heating
Height/Width/Depth	mm	670/400/300	670/400/300	670/400/300	670/400/300	670/400/300	670/400/300	670/400/300	600/400/290	600/400/290	600/400/290	600/400/290	600/400/290
Weight	kg	30.5	30.5	32	34.5	29	29	32	20	20	20	21.5	21.5
Gas council number		4128801	4767302	4767303	4767304	4128811	4128805	4128812	4128809	4128813	4128806	4128810	4128814
SEDBUK Rating		A	A	A	A	A	A	A	A	A	A	A	A
General Data	Units	24c Combi	28c Combi	35c Combi	39c Combi	18s System	24s System	30s System	12v Heating	15v Heating	18v Heating	24v Heating	30v Heating
Nom Output 80/60 (CH) Nett	kW	20.0	21.6	29.4	33.3	18	21.6	29.4	12.1	15.0	17.6	23.5	29.4
Nom Output 50/30 (CH) Nett	kW	21.6	23	31.3	35.5	19.1	23	31.3	12.8	15.8	19	25	31.3
Output DHW	kW	24	28	35	39	N/A	N/A	N/A	N/A	N/A	N/A	N/A	N/A
Nom Input (CH) Nett	kW	21	22	30	34	18.3	22	30	12.3	15.3	18	25.2	30.0
Nom Input (DHW) Nett	kW	24	28	35	39	N/A	N/A	N/A	N/A	N/A	N/A	N/A	N/A
Mounting weight (dry)	kg	30.5	30.5	32	34.5	29	29	32	20	20	20	21.5	21.5
Max noise level (1M from boiler)	dB(A)	<44	<44	<44	<44	<44	<44	<44	<44	<44	<44	<44	<44
Gas and Flue Details	Units	24c Combi	28c Combi	35c Combi	39c Combi	18s System	24s System	30s System	12v Heating	15v Heating	18v Heating	24v Heating	30v Heating
Natural gas and LPG (option)		l2H3P	l2H3P	l2H3P	l2H3P	l2H3P	l2H3P	l2H3P	l2H3P	l2H3P	l2H3P	l2H3P	l2H3P
Inlet pressure NG (min / max)	mbar	20-30	20-30	20-30	20-30	20-30	20-30	20-30	20-25	20-25	20-25	20-25	20-25
Natural gas consumption	M ³ /h	2.5	3	3.5	3.9	1.9	2.3	3.2	1.3	1.6	1.8	2.7	3.2
NOx emissions @ 0% excess O ₂	mg/kW	37	37	38	39	37	37	37	<30	<30	<30	37	<37
NOx class		5	5	5	5	5	5	5	5	5	5	5	5
Residual fan duty	Pa	50	100	100	140	50	50	100	30	35	40	50	100
Flue gas rate	kg/h	40	47	57	62	31	37	51	20.5	25.8	31	42.4	50.5
Flue classification		C13/C33/C53/C83	C13/C33/C53/C83	C13/C33/C53/C83	C13/C33/C53/C83	C13/C33/C53/C83	C13/C33/C53/C83	C13/C33/C53/C83	C13/C33/C53/C83	C13/C33/C53/C83	C13/C33/C53/C83	C13/C33/C53/C83	C13/C33/C53/C83
CH Side	Units	24c Combi	28c Combi	35c Combi	39c Combi	18s System	24s System	30s System	12v Heating	15v Heating	18v Heating	24v Heating	30v Heating
Water capacity	Ltr	1.8	1.8	2	2.2	1.8	1.8	2.0	1.8	1.8	1.8	2	2
High limit temperature	°C	110	110	110	110	110	110	110	98	98	98	98	98
Operating temperature (max)	°C	95	95	95	95	95	95	95	75	75	75	75	75
Operating pressure (max / min)	bar	0.8 / 2.5	0.8 / 2.5	0.8 / 2.5	0.8 / 2.5	0.8 / 2.5	0.8 / 2.5	0.8 / 2.5	0.8 / 3	0.8 / 3	0.8 / 3	0.8 / 3	0.8 / 3
Expansion vessel capacity	Ltr	8	8	8	8	8	8	8	N/A	N/A	N/A	N/A	N/A
DHW Side	Units	24c Combi	28c Combi	35c Combi	39c Combi	18s System	24s System	30s System	12v Heating	15v Heating	18v Heating	24v Heating	30v Heating
Max flow rate at 35 °C temperature rise	l/m	10	11.4	14.2	15.9	N/A	N/A	N/A	N/A	N/A	N/A	N/A	N/A
Minimum flow	l/m	1.2	1.2	1.2	1.2	N/A	N/A	N/A	N/A	N/A	N/A	N/A	N/A
Cold water inlet pressure (min / max)	bar	-	0.5 / 8	0.5 / 8	0.5 / 8	N/A	N/A	N/A	N/A	N/A	N/A	N/A	N/A
Water capacity	Ltr	-	0.5	0.6	0.6	N/A	N/A	N/A	N/A	N/A	N/A	N/A	N/A
Resistance without restrictor at nom flow	bar	0.1	0.1	0.1	0.1	N/A	N/A	N/A	N/A	N/A	N/A	N/A	N/A
Electrical	Units	24c Combi	28c Combi	35c Combi	39c Combi	18s System	24s System	30s System	12v Heating	15v Heating	18v Heating	24v Heating	30v Heating
Mains supply	Volts/Hz	230v / 50Hz	230v / 50Hz	230v / 50Hz	230v / 50Hz	230v / 50Hz	230v / 50Hz	230v / 50Hz	230v / 50Hz	230v / 50Hz	230v / 50Hz	230v / 50Hz	230v / 50Hz
Power consumption (max)	W	115	115	150	180	115	115	115	50	50	50	115	115
Power consumption on stand-by	W	<3	<3	<3	<3	<3	<3	<3	<3	<3	<3	<3	<3
Insulation class	IP	X4D	X4D	X4D	X4D	X4D	X4D	X4D	X4D	X4D	X4D	X4D	X4D
Fuse rating	A	2	2	2	2	2	2	2	2	2	2	2	2

For all your queries just call the Avanta Team:

General Office

Tel: 0118 978 3434

Fax: 0118 978 6977

Email: boilers@broag-remeha.com

Direct Sales

Tel: 0118 974 3060

Fax: 0118 978 6977

Email: sales@broag-remeha.com

After Sales Service

Tel: 0118 974 3070

Fax: 0118 979 4041

Email: aftersales@broag-remeha.com

Technical Information

Tel: 0118 974 3070

Fax: 0118 979 4041

Email: aftersales@broag-remeha.com

Training Information

Tel: 0118 974 3020

Fax: 0118 979 4041

Email: training@broag-remeha.com

Literature Hotline

Tel: 0118 974 3043

Remeha

AVANTA RANGE

Broag Ltd. Head Office

Remeha House
Molly Millars Lane
Wokingham
Berkshire RG41 2QP

Tel: 0118 978 3434

Fax: 0118 978 6977

Email: boilers@broag-remeha.com

www.avantarange.com

www.remeha.co.uk


climatecare
Broag UK is committed to carbon offsetting





The data published in this technical sales leaflet is based on the latest information (at date of publication) and may be subject to revisions. It should be read in conjunction with our full technical brochures (available on request). We reserve the right to continuous development in both design and manufacture, therefore any changes to the technology employed may not be retrospective nor may we be obliged to adjust earlier supplies accordingly. uk5-27/07/09