



JASPI HYBRID

Thermal Storage Tanks



JASPI HYBRID 500-160 & 700-200

Jaspi Hybrid thermal storage tanks are designed to be used with low temperature heat sources such as heat pumps, solar heating and wind power.

Their Compact size makes them suitable for heating system refurbishments as well as for new dwellings.

The stylish silver Hybrid tanks come in two sizes, 500 and 700 litres including the internal Stainless steel hot water tanks of 160 and 200 litres respectively.

Unique, internal hot water tank with fast heat recovery rate, will supply ample hot water from your renewable energy source.

Inside the Hybrid thermal tank, instead of a coil, is a high grade Stainless Steel 160 or 200 litre domestic hot water cylinder.

This cylinder is fully immersed in a larger volume of water held in the tank. This ensures fast recovery of domestic hot water without the need for extra high temperatures commonly used with traditional boilers.

Savings in energy consumption are easy to see.

To guarantee the supply of hot water in all circumstances, we recommend that the system is fitted with back-up heating. This can be for example a J-Immersion heater (3, 4.5 or 6kW), oil boiler or a wood / coal burner.

Multiple connections for different heat sources makes Hybrid future proof when new energy sources are available.

Jaspi Hybrid tanks have a flange for solar coil as standard making it simple to fit a solar coil even at a later stage.

Our Hybrid technology is used by many heat pump manufacturers and now it is also available for domestic users with traditional heating.

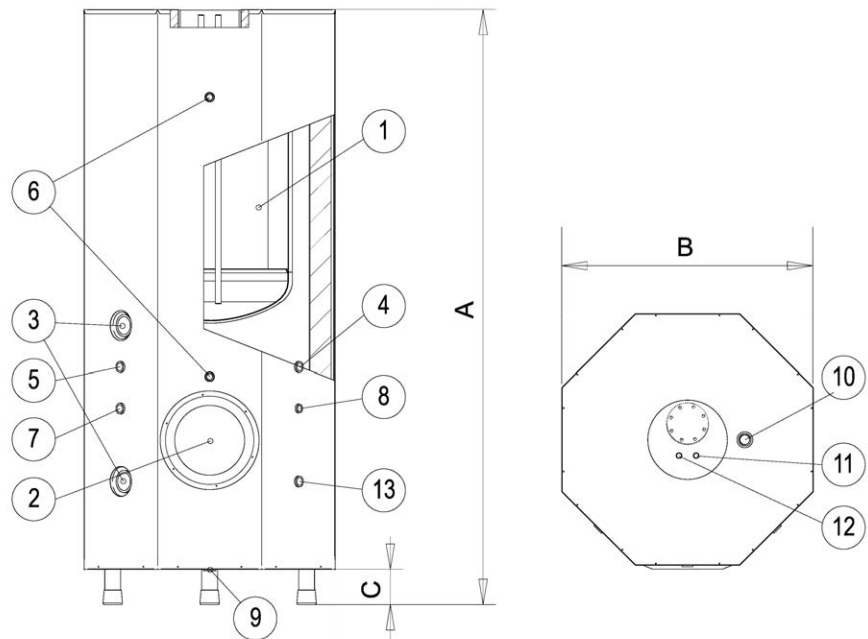
Jaspi Hybrid is just one of our innovative, market leading heating products. In over 30 years, Jaspi has produced 500 000 units gaining an unrivalled experience and reliability.

Jaspi products are made in Finland using ultra modern production technologies under the strict quality control of ISO14001.

www.jaspi.co.uk

Description

1. Internal Hot water cylinder (Stainless Steel)
2. Reservation for Solar coil (optional)
3. Reservation for Immersion heater R50 2" sk
4. Heat pump flow R20 3/4" sk
5. When connected to central heating, CH return R20 3/4" sk
6. Thermometer / Sensor R15 1/2" sk
7. Sensor R20 3/4" sk
8. Sensor R15 1/2" sk
9. Drain R25 1" sk
10. When connected to central heating, CH flow & expansion R25 1" sk
11. Domestic cold water in D18
12. Domestic hot water out D18
13. Heat pump return R20 3/4" sk



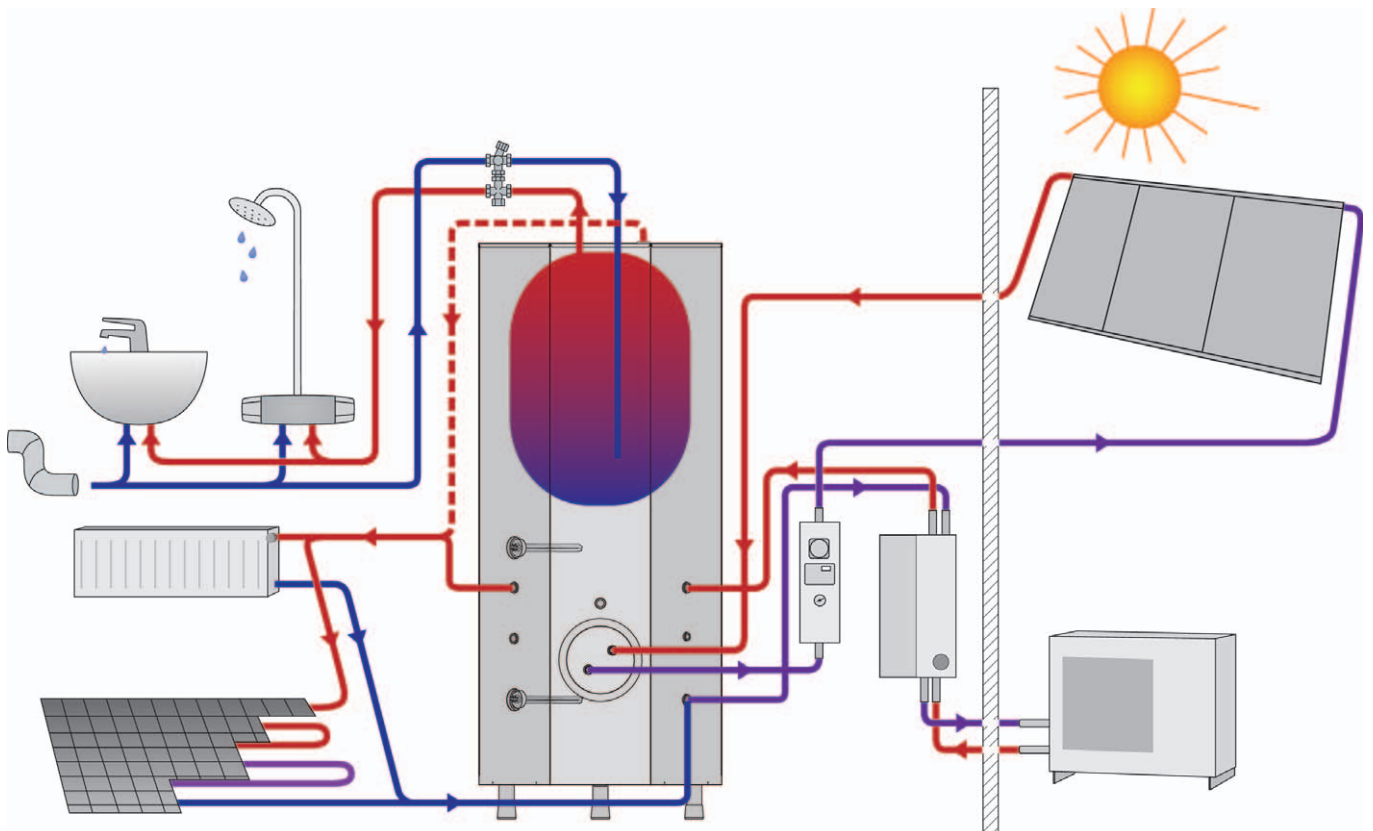
Accessories

- J-Immersion heaters 3 & 4.5kW
- Solar coil (copper)
- 1,5 bar Pressure relief valves
- R50 2" Plug
- 22mm to D18 compression reducer

JASPI Hybrid	Storage	Hot Water	Weight	Pressure	Measurements mm			LVI	Electricity
Model	litres	litres	Kg	bar	A	B	C	number	number
500-160	340	160	180	1,5	1880	790	100	5236210	8164600
700-200	500	200	200	1,5	2030	870	100	5236211	8164601

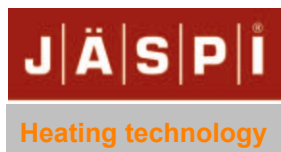
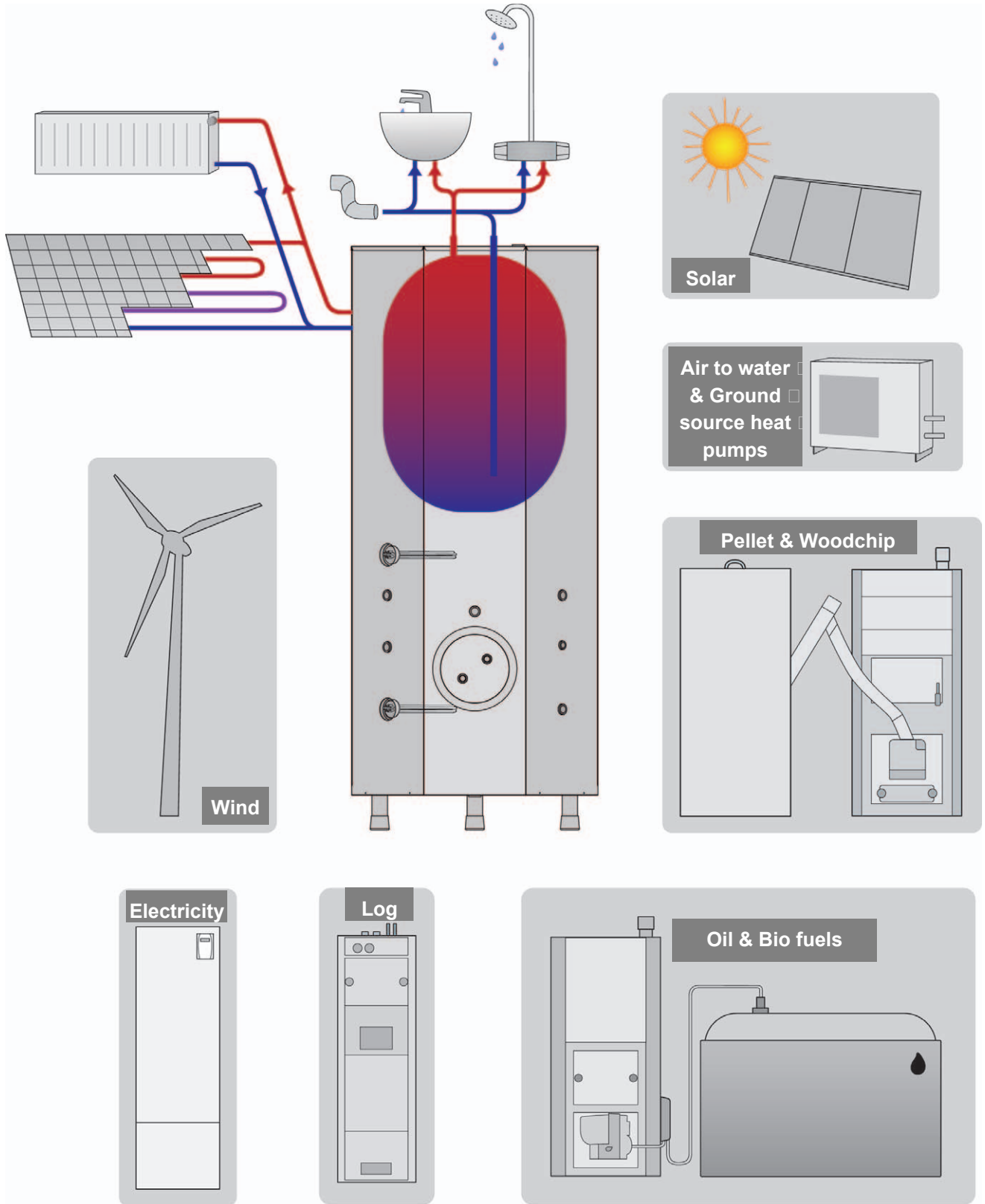
Specifications are subject to change without notice for future improvement.

JASPI Hybrid - Air to water heat pump - Solar



Working principle, not to be used as an installation instruction.

Examples of Hybrid tank suitability with different heat sources



KAUKORA OY



ISO 14001
ISO 9001
EN 729-2

JASPI UK

Telephone 0845 220 2700 ☐

Telefax 0700 605 1708 ☐

www.jaspi.co.uk

info@jaspi.co.uk